

**Specification**

Aluminium 6063-T6 alloy to BS EN 755-9 standard, powder coated to BS 6496 to 60 - 80 micron finish.

Aluminium Finish: White - RAL 9003 Satin.

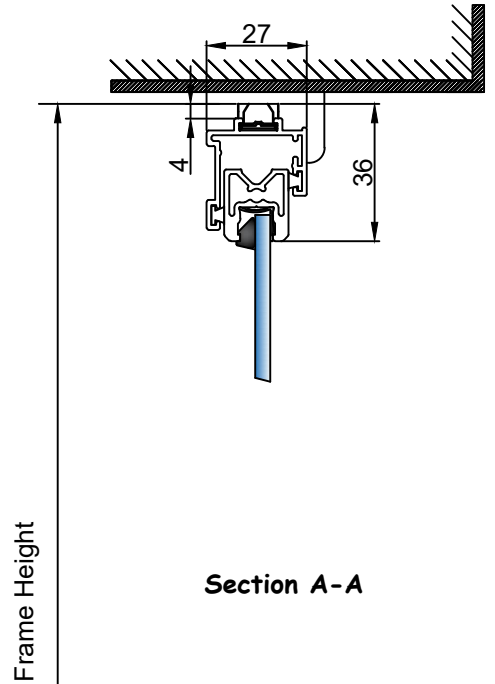
Glazing: All frames are factory glazed.

Gasket colour: White.

Trim: 27mm uPVC Single Bullnosed White.

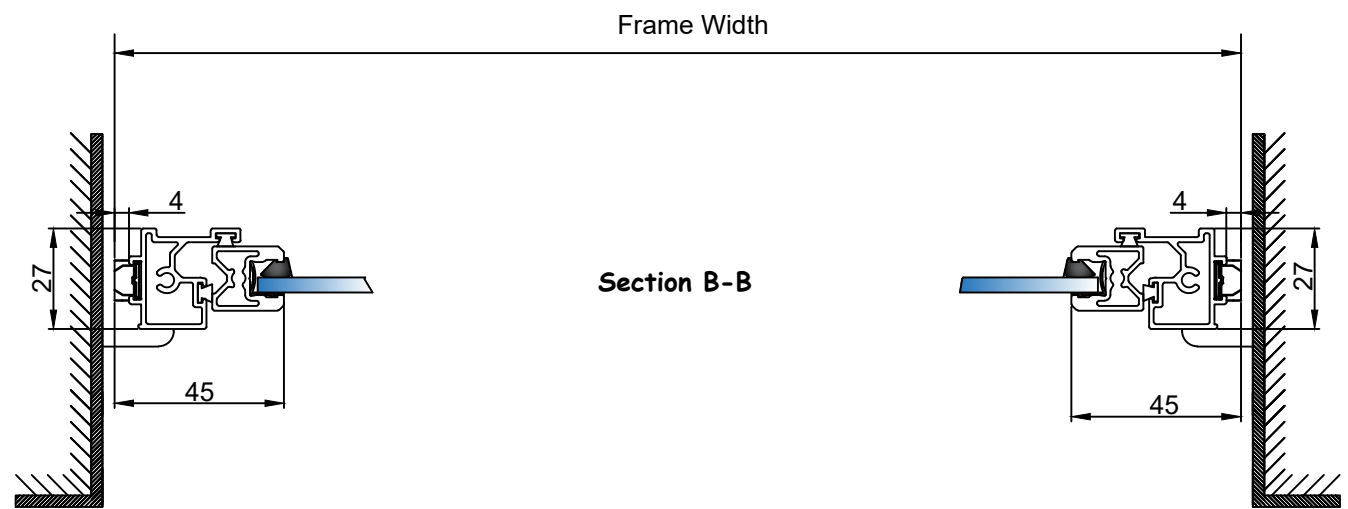
Ironmongery: Locking option as an extra  
Full perimeter handles as an extra.

In line with our company policy of continuous product development and improvement, Granada reserves the right to make minor alterations to specification without notice.



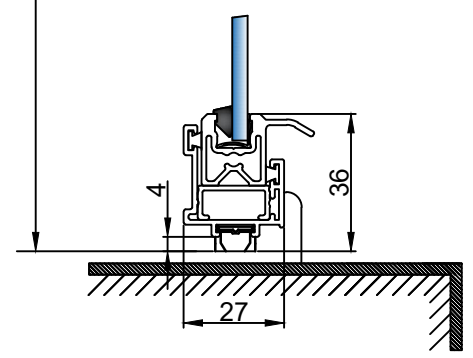
**Section A-A**


Frame Height

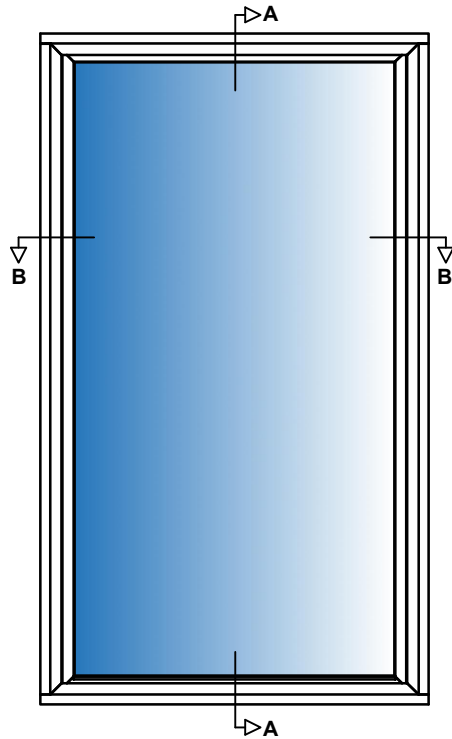


**Section B-B**

Frame Width



PROJECT: Standard Details	GSG_001 DRAWING NO.	- PROJECT NO.	07/07/21 DATE.	 <p>Campbell Way Dinnington Sheffield S25 3QD</p> <p>Tel: 01909 499 899 W: www.granadaglazing.com</p>
TITLE: LO Lift out, Reveal Fix, No sub frame, up to 6.8mm glass	NTS DRAWN.	AB DRAWN.	RH CHECKED.	



**Specification**

Aluminium 6063-T6 alloy to BS EN 755-9 standard, powder coated to BS 6496 to 60 - 80 micron finish.

Aluminium Finish: White - RAL 9003 Satin.

Sub-Frame: Primed high quality with 2 coats, FSC Mix credit radiata pine clear grade, FSC mix credit TT-COC-002 157.

Timber Size: 25mm x 16mm.

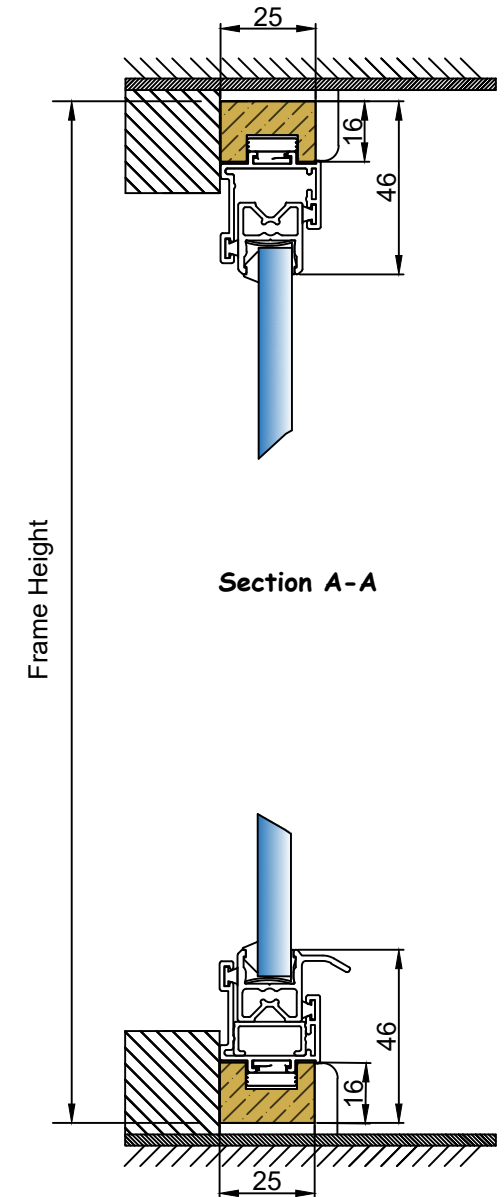
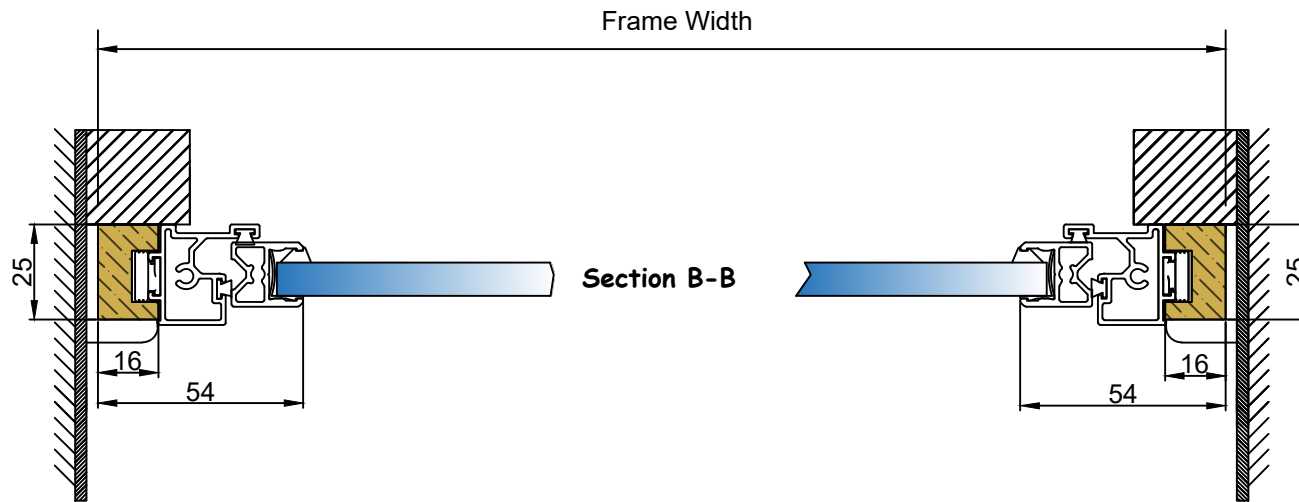
Glazing: All frames are factory glazed.

Gasket colour: White.

Trim: 27mm uPVC Single Bullnosed White.

Ironmongery: Locking option as an extra  
Full perimeter handles as an extra.

In line with our company policy of continuous product development and improvement, Granada reserves the right to make minor alterations to specification without notice.



PROJECT:  
Standard Details

GSG\_001  
DRAWING NO.

-  
PROJECT NO. 07/07/21  
DATE.

TITLE:  
LO Lift out, Face Fix, up to 10.8mm glass

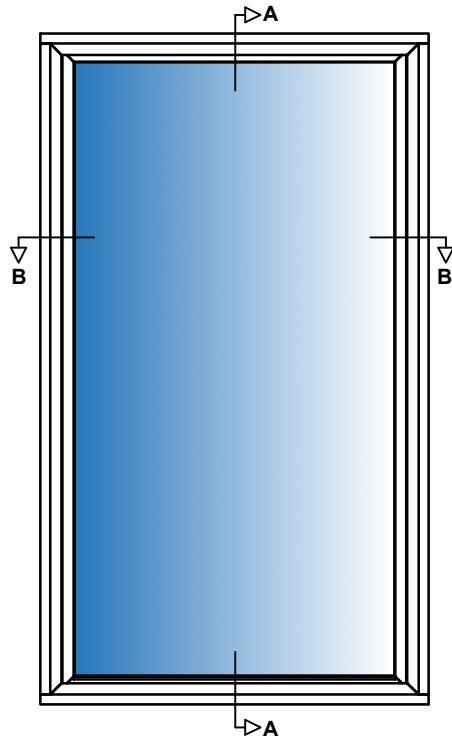
NTS  
AB  
DRAWN.

RH  
CHECKED.  
REVISION.



Campbell Way  
Dinnington  
Sheffield  
S25 3QD

Tel: 01909 499 899  
W: www.granadaglazing.com



**Specification**

Aluminium 6063-T6 alloy to BS EN 755-9 standard, powder coated to BS 6496 to 60 - 80 micron finish.

Aluminium Finish: White - RAL 9003 Satin.

Sub-Frame: Primed high quality with 2 coats, FSC Mix credit radiata pine clear grade, FSC mix credit TT-COC-002 157.

Timber Size: 25mm x 16mm.

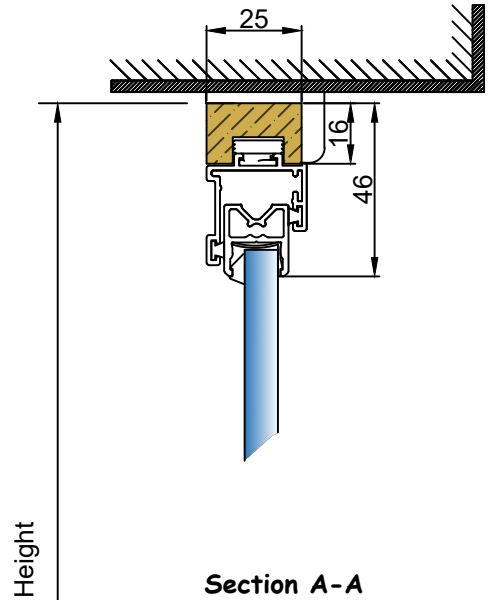
Glazing: All frames are factory glazed.

Gasket colour: White.

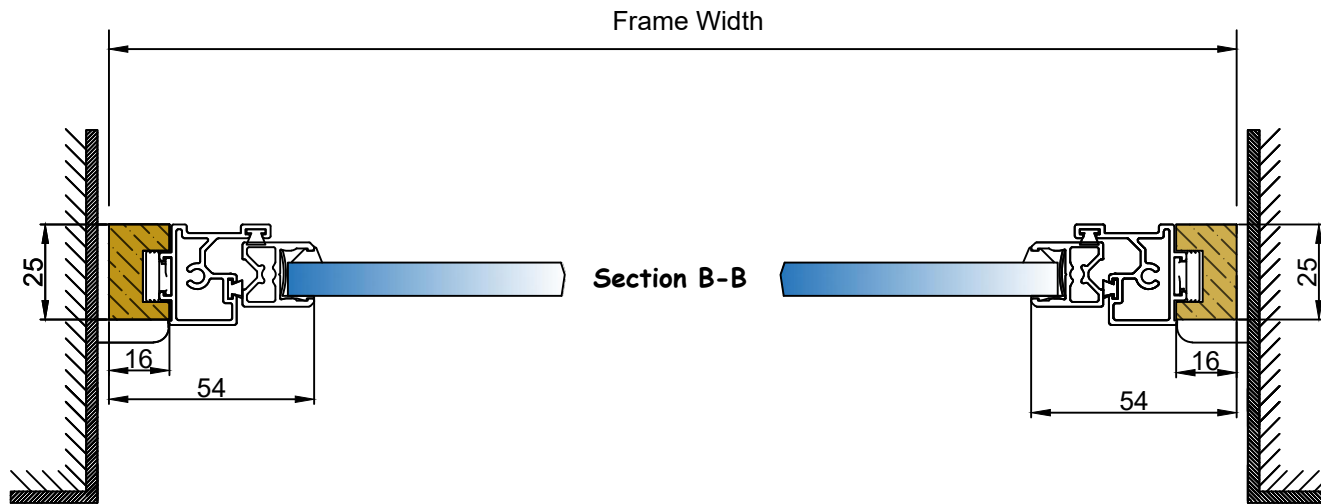
Trim: 27mm uPVC Single Bullnosed White.

Ironmongery: Locking option as an extra  
Full perimeter handles as an extra.

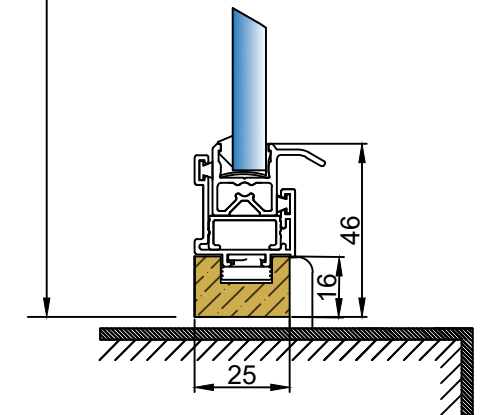
In line with our company policy of continuous product development and improvement, Granada reserves the right to make minor alterations to specification without notice.



Frame Height



Frame Width



PROJECT:  
Standard Details

GSG\_001  
DRAWING NO.

-  
PROJECT NO. DATE.

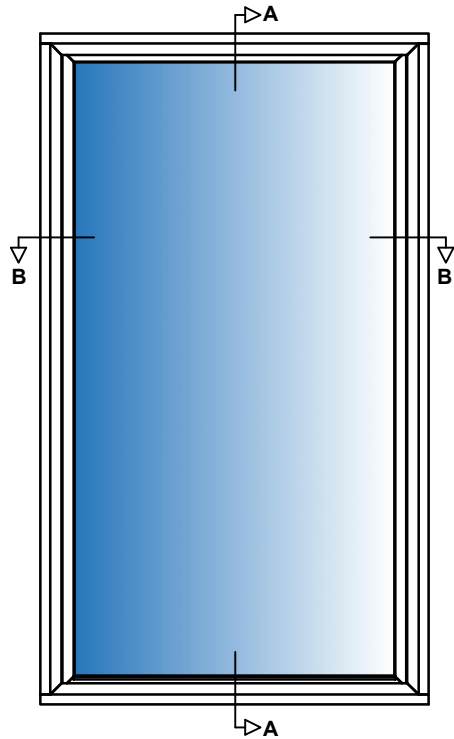


Campbell Way  
Dinnington  
Sheffield  
S25 3QD  
Tel: 01909 499 899  
W: www.granadaglazing.com

TITLE:  
LO Lift out, Reveal Fix, up to 10.8mm glass

NTS  
DRAWN.

RH  
CHECKED. REVISION.



**Specification**

Aluminium 6063-T6 alloy to BS EN 755-9 standard, powder coated to BS 6496 to 60 - 80 micron finish.

Aluminium Finish: White - RAL 9003 Satin.

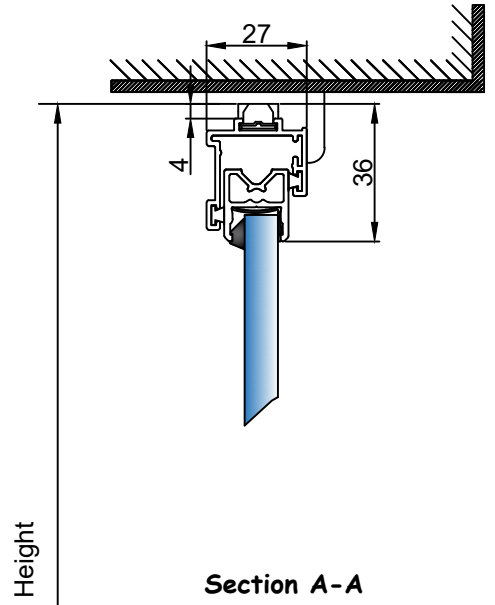
Glazing: All frames are factory glazed.

Gasket colour: White.

Trim: 27mm uPVC Single Bullnosed White.

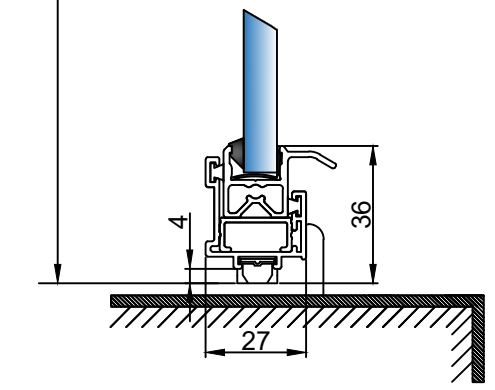
Ironmongery: Locking option as an extra  
Full perimeter handles as an extra.

In line with our company policy of continuous product development and improvement, Granada reserves the right to make minor alterations to specification without notice.

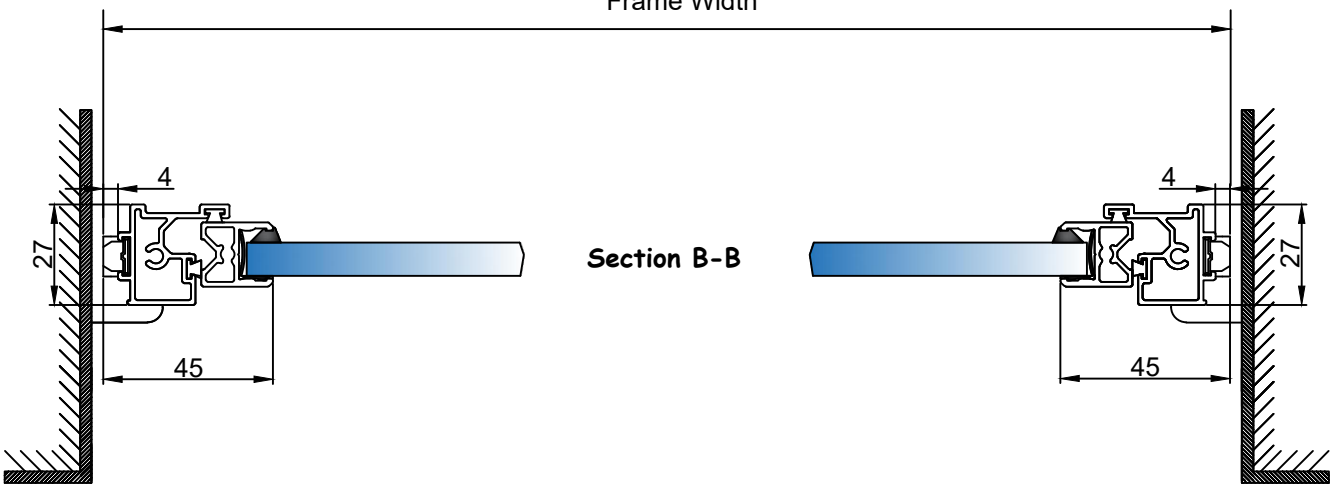


Frame Height


**Section A-A**

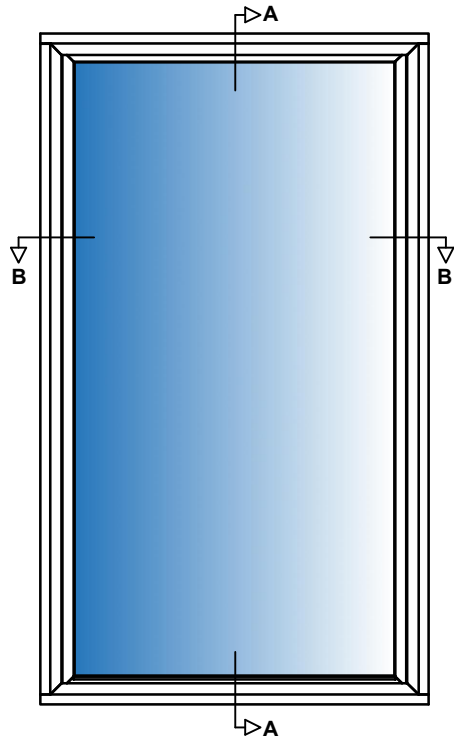


Frame Width



**Section B-B**

PROJECT: Standard Details	GSG_001 DRAWING NO.	- PROJECT NO.	07/07/21 DATE.	 <p>Campbell Way Dinnington Sheffield S25 3QD</p> <p>Tel: 01909 499 899 W: www.granadaglazing.com</p>
TITLE: LO Lift out, Reveal Fix, No sub frame, up to 10.8mm glass	NTS DRAWN.	AB DRAWN.	RH CHECKED.	



**Specification**

Aluminium 6063-T6 alloy to BS EN 755-9 standard, powder coated to BS 6496 to 60 - 80 micron finish.

Aluminium Finish: White - RAL 9003 Satin.

Sub-Frame: Primed high quality with 2 coats, FSC Mix credit radiata pine clear grade, FSC mix credit TT-COC-002 157.

Timber Size: 25mm x 16mm.

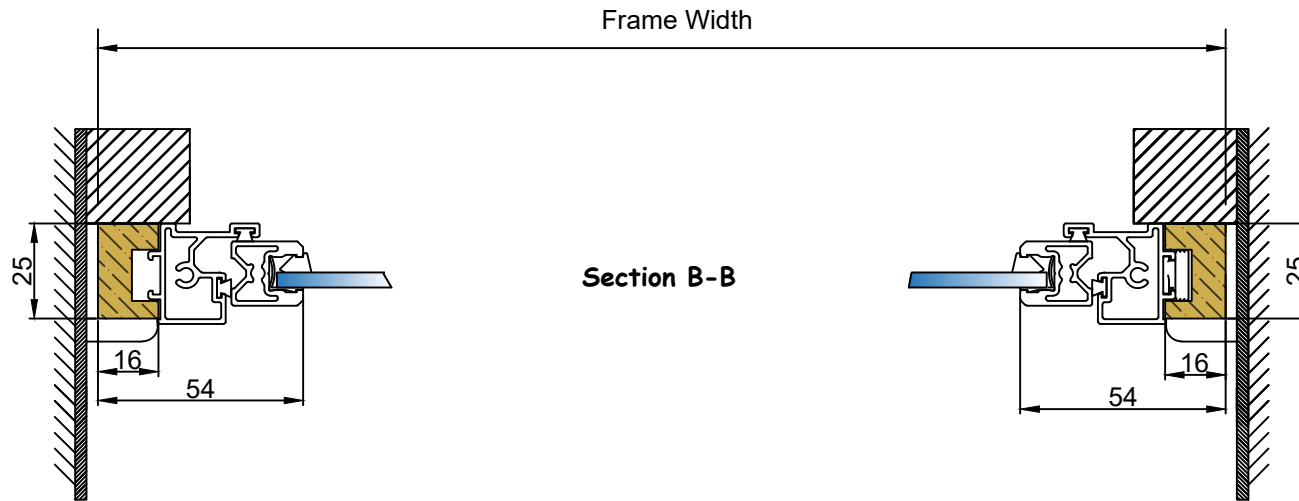
Glazing: All frames are factory glazed.

Gasket colour: White.

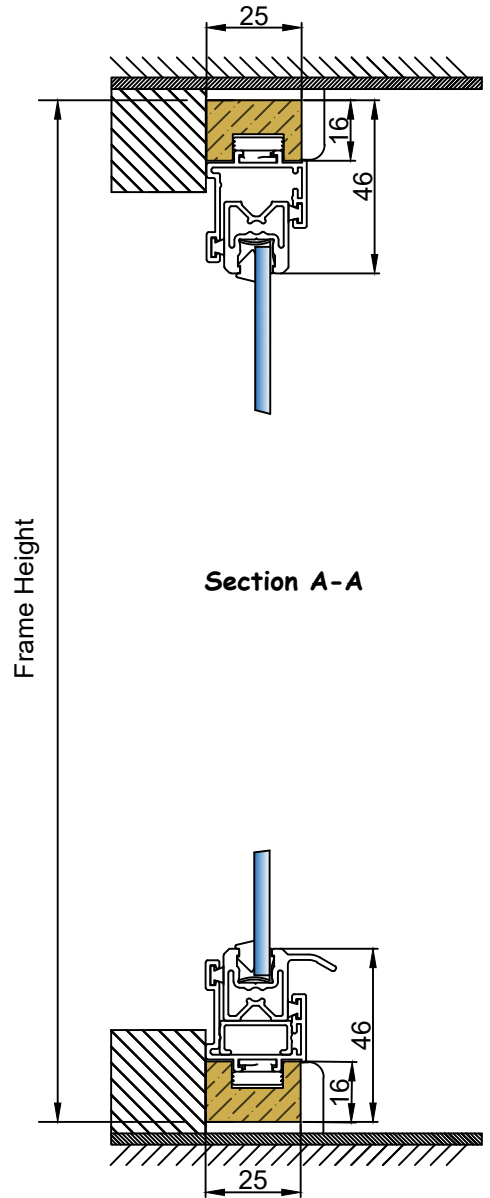
Trim: 27mm uPVC Single Bullnosed White.

Ironmongery: Locking option as an extra  
Full perimeter handles as an extra.

In line with our company policy of continuous product development and improvement, Granada reserves the right to make minor alterations to specification without notice.



**Section B-B**



**Section A-A**

PROJECT:  
Standard Details

GSG\_001  
DRAWING NO.

-  
PROJECT NO. DATE.



Campbell Way  
Dinnington  
Sheffield  
S25 3QD

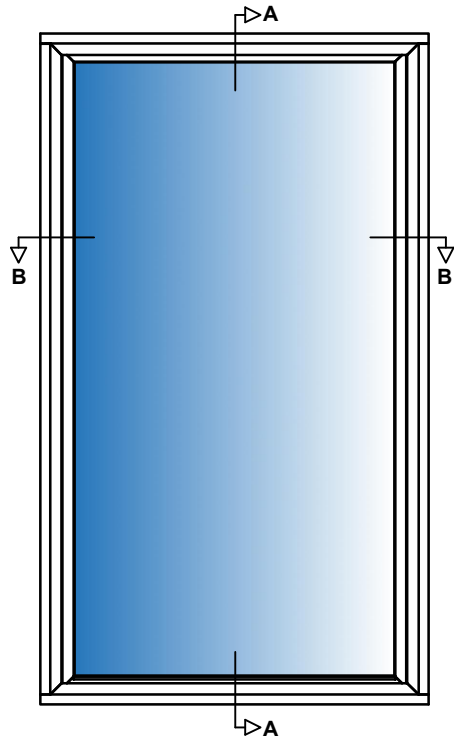
TITLE:  
LO Lift out, Face Fix, up to 6.8mm glass

NTS  
AB  
DRAWN.

RH  
CHECKED.

-  
REVISION.

Tel: 01909 499 899  
W: www.granadaglazing.com



**Specification**

Aluminium 6063-T6 alloy to BS EN 755-9 standard, powder coated to BS 6496 to 60 - 80 micron finish.

Aluminium Finish: White - RAL 9003 Satin.

Sub-Frame: Primed high quality with 2 coats, FSC Mix credit radiata pine clear grade, FSC mix credit TT-COC-002 157.

Timber Size: 25mm x 16mm.

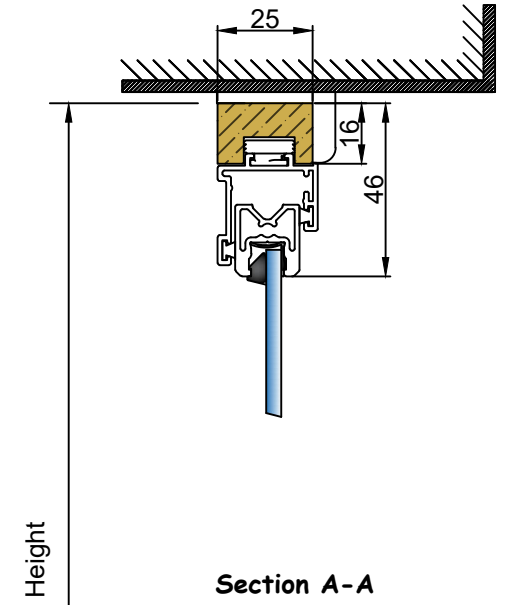
Glazing: All frames are factory glazed.

Gasket colour: White.

Trim: 27mm uPVC Single Bullnosed White.

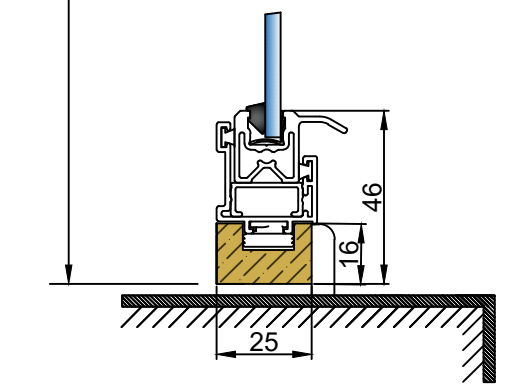
Ironmongery: Locking option as an extra  
Full perimeter handles as an extra.

In line with our company policy of continuous product development and improvement, Granada reserves the right to make minor alterations to specification without notice.

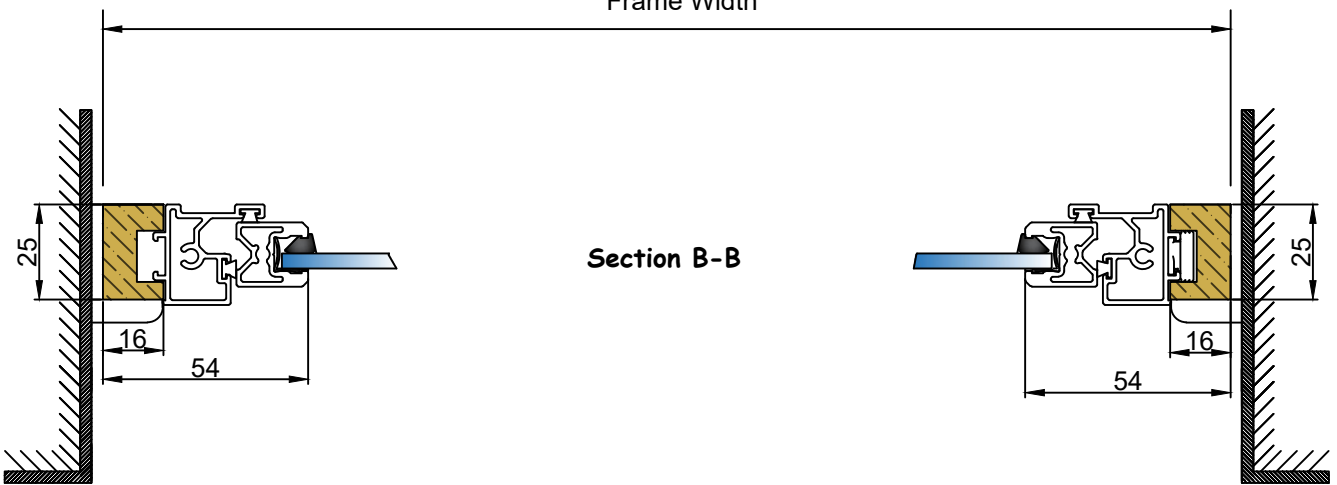


Frame Height


**Section A-A**



Frame Width



**Section B-B**

PROJECT: Standard Details	GSG_001 DRAWING NO.	- PROJECT NO.	07/07/21 DATE.	 <p><b>GRANADA</b> secondary glazing</p> <p>Campbell Way Dinnington Sheffield S25 3QD</p> <p>Tel: 01909 499 899 W: www.granadaglazing.com</p>
TITLE: LO Lift out, Reveal Fix, up to 6.8mm glass	NTS DRAWN.	AB DRAWN.	RH CHECKED.	